

24 inch Dishwasher Tall Tub with Stainless Steel Panel and Bar Handle, 16 place settings, 39 dB, 8 wash cycles Professional Series

\$ 1,399



DW24T3IXT

This stainless steel tall tub dishwasher is the quietest model and largest loading capacity ever offered by Bertazzoni. It offers superb cleaning performance with 3 spray arms and a DirectWash zone to remove tough deposits. Loads up to 16 place settings and it is equipped with 3 racks: a cutlery tray, a convenient height-adjustable loaded on 3 levels middle rack and a folding tines lower rack. Select one of the 8 available wash cycles and 7 wash options through the concealed multi-button interface. This dishwasher is perfectly insulated and virtually inaudible at 39 dB(A) with optional Stealth mode.

All Bertazzoni dishwashers are designed and engineered with the highest grade materials and components. Using one of the 3 available handle kits in Professional, Master and Heritage Series style, this dishwasher with stainless steel panel integrates seamlessly with all other Bertazzoni appliances into style-harmonized suites for a true, high-performing kitchen.

This dishwasher is Energy Star rated. Certified by the National Sanitation Foundation for eliminating 99.99 percent of most common household bacteria.

[Guarda online](#)

Specifications

Features

General features

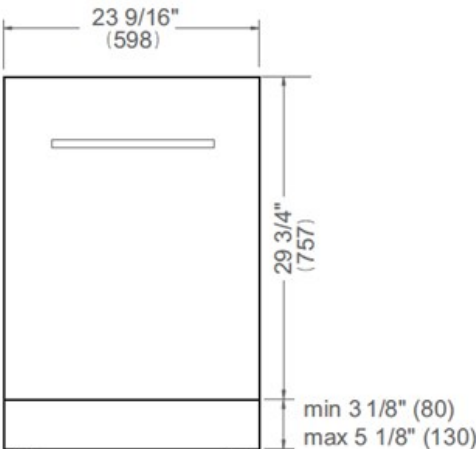
| | |
|----------------------------|--|
| Size | 24 in |
| Place setting | 16 |
| Controls | concealed multi-button |
| Interior finish | stainless steel |
| User interface | LED display |
| Spray arms | 3 + DirectWash zone |
| Number of racks | 3 |
| Cutlery basket | sliding |
| Wash cycle | 8 - auto, crystal and china, normal plus, pots and pans, quick, regular, rinse and hold, soak and wash |
| Wash Options | 7 - accel, extra dry, delay start, 3 half load modes, sanitize, scrub, stealth |
| Delayed start | yes |
| Lighting | 1 LED light for tub illumination + floor projection status light |
| Drying system | PowerDry Plus |
| Overflow protection device | yes |
| Filter system | triple stage metal filter |
| Water softener | yes |
| Certification | CEC, NSF, UL |

Technical specifications

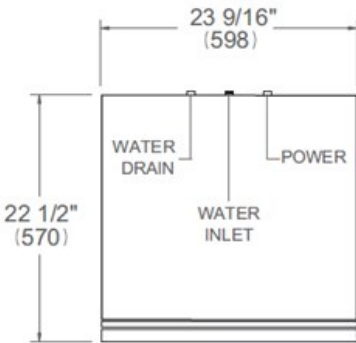
| | |
|--------------------|----------------------|
| Electrical supply | 120 V - 60 Hz - 12 A |
| Power rating | 1400 W |
| Energy consumption | 234 kWh |

Dimensions

FRONT VIEW



TOP VIEW



Drain hose and toe kick are provided with the unit