

36 inch Freestanding French Door Heritage Series

\$ 3,999



REF36FDZXT

The Bertazzoni 36" French-door stainless steel refrigerator is designed and engineered with the highest grade materials and components. Using one of the 3 available handle kits in Professional, Master and Heritage Series style, this refrigerator integrates seamlessly with all other Bertazzoni appliances into style-harmonized suites for a true, high-performing kitchen.

This counter-deep refrigerator has ample storage capacity, with 15 cubic feet of refrigerator volume and 6.6 cubic feet of freezer. Dual air-cooling flow with independent no-frost system for refrigerator and freezer compartments provide optimal temperature and humidity control to keep food fresher longer. The internal configuration of the upper compartment is designed for maximum flexibility, with shelves that move and fold, high-capacity drawers and crispers with dedicated temperature and humidity controls, and several gallon-size storage bins in both doors. The ice & water dispenser through the door give easy access to crushed and cube ice as well as filtered water. The main food & beverage preservation feature is embedded in the center drawer. Engineered for selecting 4 specific settings, the Quattro Temp Zone is ideal for either cold beverages, meats, fish, deli, or wine. The high-capacity bottom freezer drawer features a bin-and-drawer system, laid out for ease-of-storage and loading. Replacement water filters are available for purchase [here](#).

Using one of the 3 available handle kits in Professional, Master and Heritage Series style, this refrigerator integrates seamlessly with all other Bertazzoni appliances into style-harmonized suites for a true, high-performing kitchen.

Handle kits are sold separately.

All Bertazzoni appliances are covered by a 2-year warranty.

Guarda online

Specifications

Features

General features

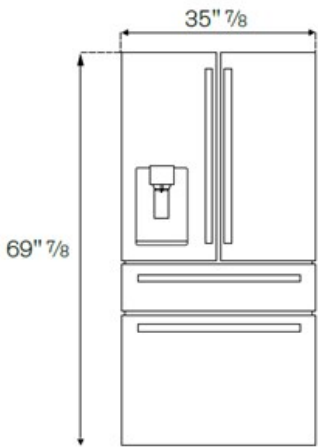
Size	36 in
Cooling system	frost free
User interface	LED touch control interface
Display functions	Super Cool, Super Freeze, QUATTRO TEMP ZONE selector, Crushed or cubed ice, Water filter replacement reminder, Water dispenser, Eco Mode
Lighting	LED side & top rail illumination
Door ajar alarm	yes
Door finishing	stainless steel
Cabinet finishing	white
Refrigerator net capacity	15 cu.ft ³
Refrigerator shelves	4 height-adjustable, of which 1 retractable + 1 stationary
Refrigerator drawers	2 large size with adjustable humidity
Door storage	6 gallon-sized bins
Freezer net capacity	6.6 cu.ft ³
Freezer drawers	2 large full-width drawers with separate temperature control
Automatic ice maker	yes
Ice production capacity	4.4 lbs / 24h
Water filter	yes
Water supply pressure	30-100 PSI
Sound rating	43 dbA
Certification	ADA Compliant, CEC, UL

Technical specifications

Electrical supply	115 V - 60 Hz - 3 A
Power rating	280 W
Power connection	NEMA 5-15P with 67" power cord
Energy consumption	658.0 kwh/yr

Dimensions

FRONT



TOP

