

## 48 inch Induction Range, 6 Heating Zones and Cast Iron Griddle, Electric Self-Clean Oven Master Series

\$ 12,999



### MAS486IGFEPXT

The new Bertazzoni ranges are superb cooking appliances designed, engineered and made in Italy. All Bertazzoni appliances integrate seamlessly into style-harmonized suites for a true, high-performing kitchen.

This all-new induction range has 5 6 high-power heating zones with maximum power output of 3700W. The right-side heating zones can be bridged to create a larger cooking area, for which a large, removable cast-iron induction compatible griddle is included. Each induction area is controlled with knobs and has a convenient read-out interface on the glass worktop.

The 4.6 cu.ft electric self-clean oven with dual diagonal convection allows even baking and roasting on 7 shelf levels. A 2.4 cu.ft auxiliary electric oven with broiler helps prepare multiple dishes at the same time.

The soft-close oven door with edge-to-edge tempered glass is a masterpiece of European engineering and makes the oven door very easy to wipe clean. Convenient smooth-glide telescopic racks on 2 levels help loading and unloading the oven. This range comes with a dedicated air-frying mode for healthier cooking, to be used with the included stainless steel mesh basket.

Optional **Collezione Metalli** décor sets knobs and handles are available in contrasting metals - satin gold and black nickel to personalize these accent style elements on your range, as well as all refrigerators and dishwashers in your kitchen suite.

All Bertazzoni appliances are covered by a 2-year warranty.

[Guarda online](#)



# Specifications

## Features

### Worktop

Size	48 in
Cooking zones	6
Number of induction zones	6
Worktop type	induction
Worktop design	stainless steel squared
Worktop controls	knobs
Knobs	solid metal
Backguard	yes
Cast iron griddle	yes

### Cooking zones

Induction 2 bridge zones	yes
Induction front left	(Ø 8 in 9/32) 2300 W - 3700 W
Induction back left	(Ø 8 in 9/32) 2300 W - 3700 W
Induction center	(Ø 8 in 9/32) 2300 W - 3700 W
Induction back center	(Ø 10 in 1/4) 2600 W - 3700 W
Induction front right	Bridge 2100 W - 3700 W
Induction back right	Bridge 2100 W - 3700 W

### Oven cavity

Oven configuration	double
Oven fuel	electric
Oven type	self-clean
Oven volume	4.6 ft <sup>3</sup>
Oven convection system	dual diagonal with heating element
Main oven type	electric pyrolytic
Main oven broiler type	electric
Main oven functions	air fry / bake / broiler / convection / convection bake / convection broiler / defrosting / dehydrate / pizza / proofing / pyrolytic self clean / warming
Auxiliary oven type	electric conventional

Auxiliary oven broiler type	electric
Auxiliary oven functions	bake / bottom bake / broiler / proofing / upper bake
Auxiliary oven volume	2.4 ft <sup>3</sup>
Inner oven door	triple
Removable inner glass	yes
Oven levels	7
Food probe	yes
Door hinges	soft-close
Air fryer	yes
Sliding shelves	2 sets of telescopic glides
Wire-shelves	2 each cavity
Tray	1 baking tray w/grill trivet + 1 air fry basket
Grill trivet for tray	yes
Oven lights	double lateral

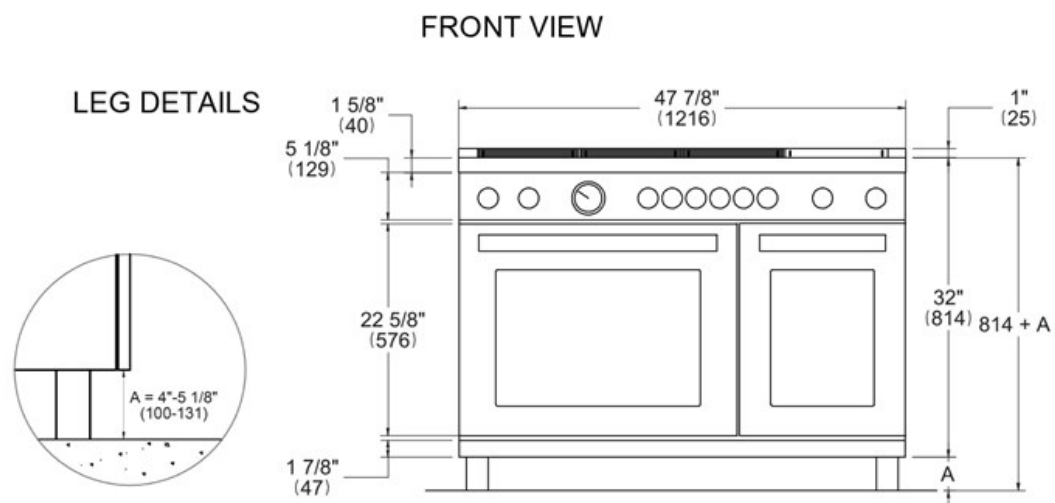
**Bottom**

Legs	stainless steel
------	-----------------

**Technical specifications**

Absorbed current (A)	50A with dedicated circuit
Electrical supply	120/240V - 60Hz - 15 100W 120/208V - 60Hz - 18 500W

**Dimensions**



---